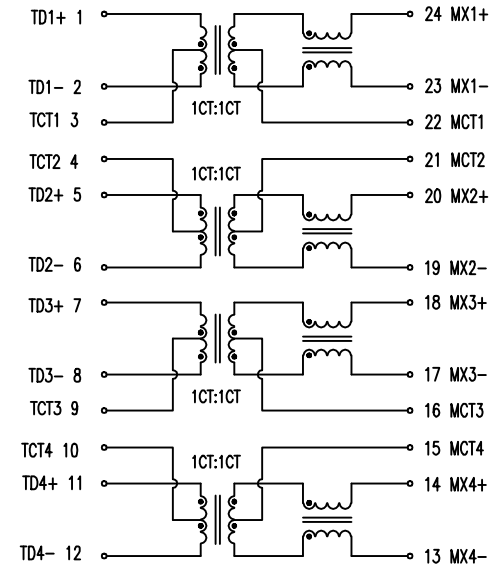


SUGGESTED PAD LAYOUT

TOLERANCES : xx.x0±0.25  
0.xx±0.05

UNIT : mm



\* RoHS COMPLIANT

ELECTRICAL CHARACTERISTICS :

- INSULATION HI-POT : 1500Vrms / 1mA / 60Sec.
- TURN RATIO (±5%) : 1CT : 1CT
- OCL : 350uH MIN. 8mA/DC Bias (FROM 0°C TO 70°C)
- CROSS TALK (dB MIN.) : 1-100MHz = -30dB MIN.
- INSERTION LOSS (1MHz -100MHz) : -1.1dB MAX.
- RETURN LOSS (dB MIN. @100Ω) :
 

1-30MHz	40MHz	50MHz	60-80MHz	100MHz
-18	-14.4	-13.1	-12	-10
- DIFFERENTIAL TO COMMON MODE REJECTION (dB MIN.) : 1-100MHz = -30dB MIN.
- OPERATING TEMPERATURE : -40°C~85°C  
STORAGE TEMPERATURE : -40°C to +125°C

							TITLE 100/1000 BASE TRANSFORMER	
							DWG. NO. ATPL-516TR	
RELEASE		01/19/2018	SHIRLEY	BETTY	BETTY	UNITS: M/M	SAFETY	
NO:	DESCRIPTION	DATE	BY	CHK	APPD	DATE 01/19/18	P/N:	SHEET 1 OF 1
REVISIONS						DRAW		SHIRLEY